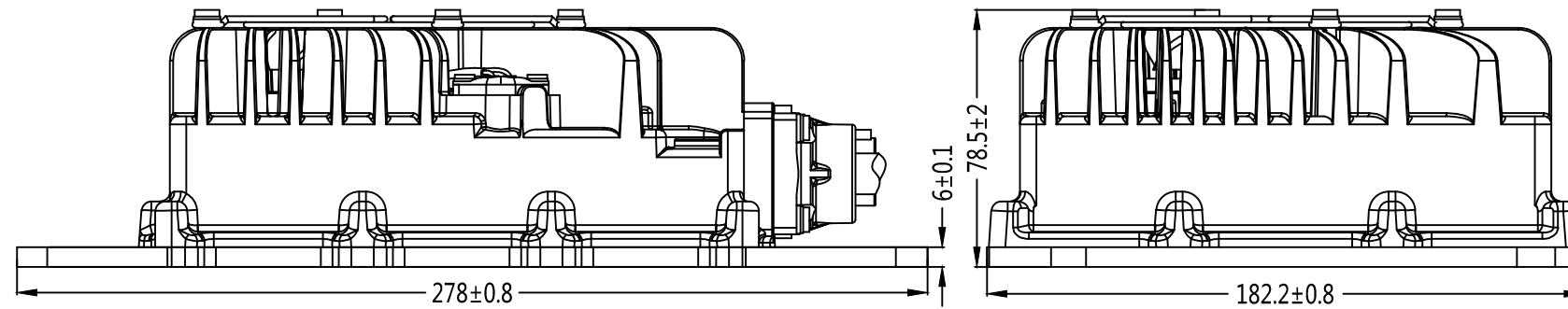
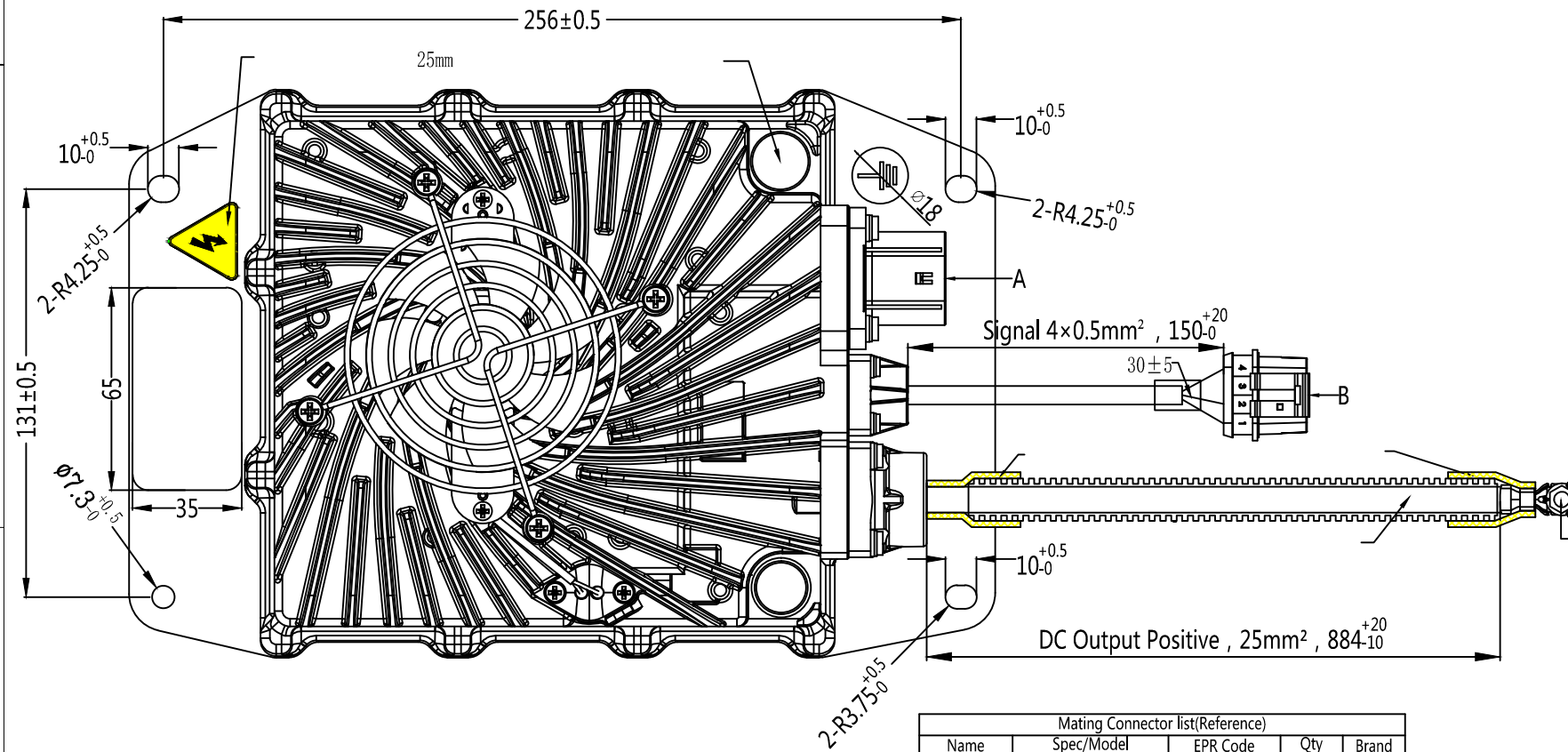


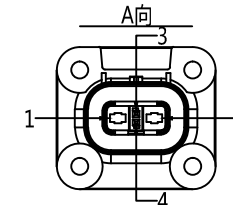
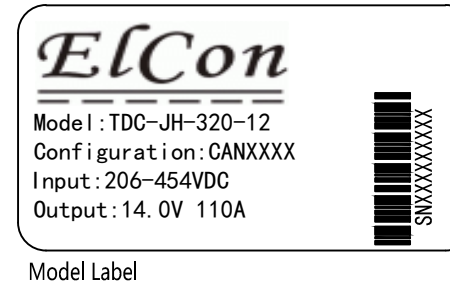
1



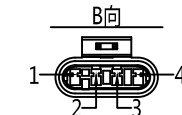
2



3



2103124-4 HV Input Terminals : 2-2141600-2			
Brand	Pin	Definition	Color/Dia.(mm <sup>2</sup> )
TE	1	Positive	Red/4
	2	Negative	Black/4
	3		
	4	NC	



DJ7041-1.5-21 DJ624-1.8A MFD006-4 MFD022-4			
Brand	Pin	Definition	Color/Dia.(mm <sup>2</sup> )
Jinzhao	1	CANH	Brown/0.5
	2	CANL	Grey/0.5
	3	/	/
	4	12V+ Enable	Yellow/0.5

4

TC Model TDC-JH-320-12

Technical requirements:

1. Vehicle Models: According to Customers;
2. Part number: According to Customers;
3. Operating temperature: -40°C to +60 °C
4. Storage temperature: -40°C to +105 °C
5. Rated Output Voltage: 14.0V±1% ;
6. Max Output Current: 110A;
7. Rated Power: 1.5KW;
8. Peak Power: 1.8KW;
9. The Input Voltage Range: 206VDC-454 VDC;
10. Under 1000VDC, the isolation resistance value meeting the requirements of input , output terminal to case >= 20M ohm;
11. Steady Voltage Accuracy: ≤1%; Steady Current Accuracy: ≤2% ;
12. The max efficiency: >93%;
13. Anti-Vibration&Shocking Grade:10 - 25Hz Amplitude1.2mm , 25 - 500Hz 30m/s<sup>2</sup> , 8hrs per direction;
14. Enclosure Grade: IP 67;
15. The protection function of DC/DC: Reverse Protection; Short Circuit Protection; Under Voltage Protection; Over Voltage Protection; Over Heating Protection;
16. HVIL inspected by DC/DC;
17. Other Requirements comply with GB/T 24347-2009;

Mating Connector list(Reference)				
Name	Spec/Model	EPR Code	Qty	Brand
Connector	4-2103177-4	300102500675	1	TE
Terminals	1-968853-3	300102500676	2	TE
Seals	1587826-2	300102500672	1	TE
Tail Cover	2103181-3	300102500678	1	TE
Plastic	DJ7041-1.5-11	300102501246	1	Jinzhao
Terminals	DJ611-1.5*0.8A	300102500148	3	Jinzhao
Seals	MFD006-4	300102500448	3	Jinzhao
Seals	MFD022-4	300102501162	1	Jinzhao

A

B

C

D